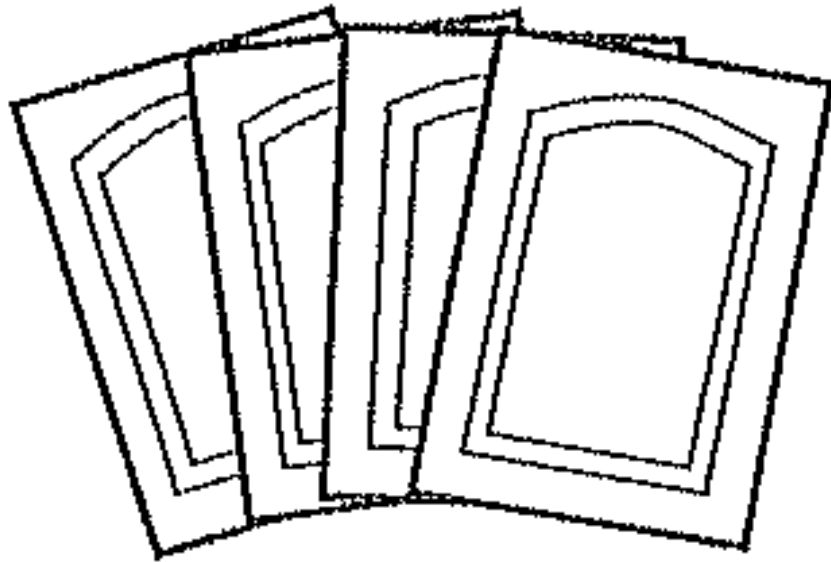


Cabinet Doors & More



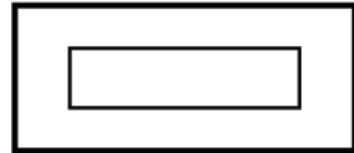
MDF Selection

Thermoplastic finish or
Lacquer finishes available
On all MDF doors

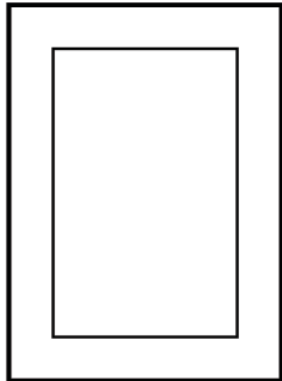
DESIGNS



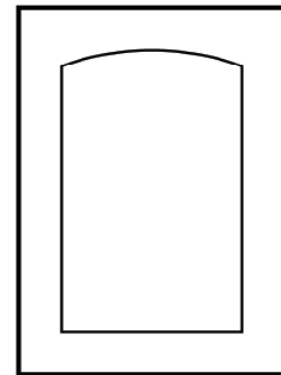
C6000 SLAB DOOR



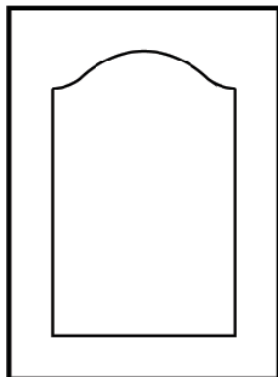
**C6005 DRAWER FRONT
REDUCED RAILS**



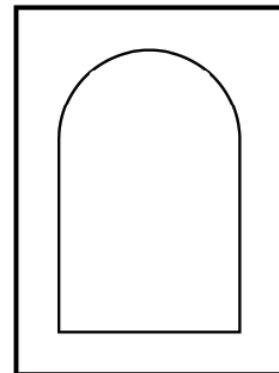
C6001 SQUARE RAISED PANEL



C6002 ARCHED RAISED PANEL



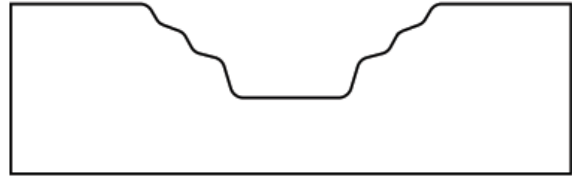
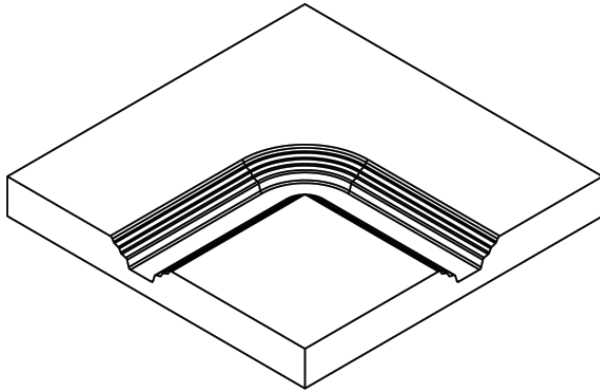
C6003 CATHEDRAL RAISED PANEL



C6004 HALF ROUND RAISED PANEL

ROUND CORNER SERIES

PROFILE 101

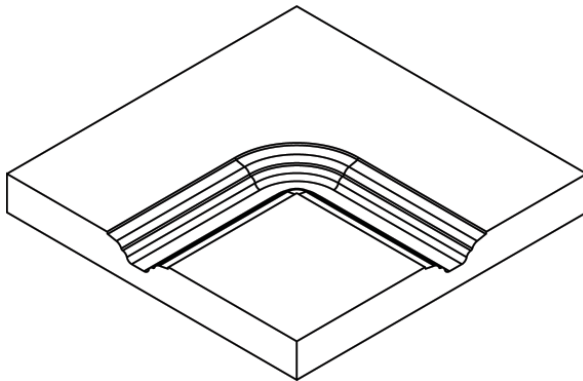


- C6001-101 SQUARE RAISED PANEL**
- C6002-101 ARCHED RAISED PANEL**
- C6003-101 CATH RAISED PANEL**
- C6004-101 ½ ROUND RAISED PANEL**

- C6001-165 SQUARE FLAT PANEL**
- C6002-165 ARCHED FLAT PANEL**
- C6003-165 CATH FLAT PANEL**
- C6004-165 ½ ROUND FLAT PANEL**

ROUND CORNER SERIES

PROFILE 102

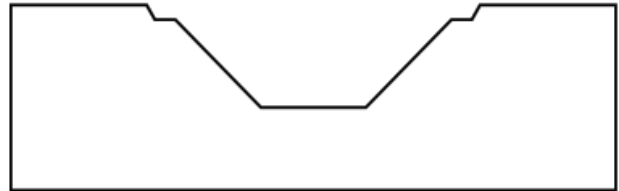
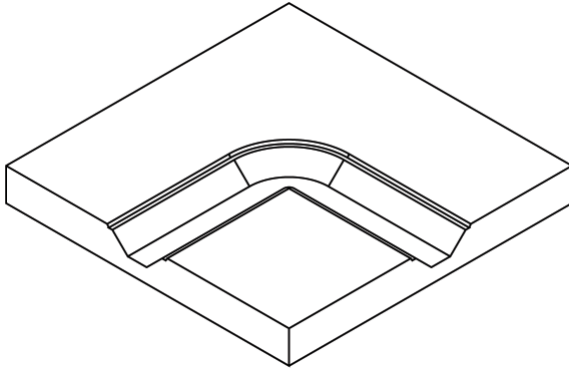


- C6001-102 SQUARE RAISED PANEL**
- C6002-102 ARCHED RAISED PANEL**
- C6003-102 CATH RAISED PANEL**
- C6004-102 ½ ROUND RAISED PANEL**

- C6001-166 SQUARE FLAT PANEL**
- C6002-166 ARCHED FLAT PANEL**
- C6003-166 CATH FLAT PANEL**
- C6004-166 ½ ROUND FLAT PANEL**

ROUND CORNER SERIES

PROFILE 105

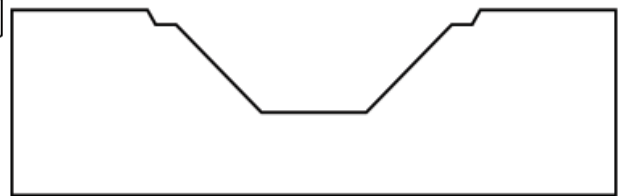
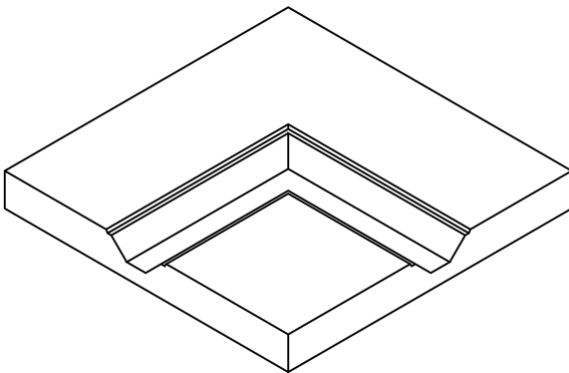


C6001-105 SQUARE RAISED PANEL
C6002-105 ARCHED RAISED PANEL
C6003-105 CATH RAISED PANEL
C6004-105 ½ ROUND RAISED PANEL

C6001-167 SQUARE FLAT PANEL
C6002-167 ARCHED FLAT PANEL
C6003-167 CATH FLAT PANEL
C6004-167 ½ ROUND FLAT PANEL

SQUARE CORNER SERIES

PROFILE 305

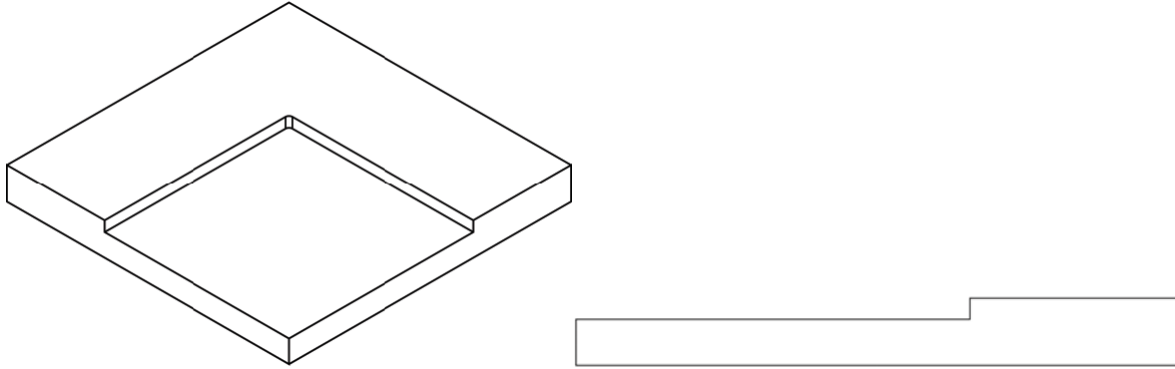


C6001-305 SQUARE RAISED PANEL
C6002-305 ARCHED RAISED PANEL
C6003-305 CATH RAISED PANEL
C6004-305 ½ ROUND RAISED PANEL

C6001-163 SQUARE FLAT PANEL
C6002-163 ARCHED FLAT PANEL
C6003-163 CATH FLAT PANEL
C6004-163 ½ ROUND FLAT PANEL

SHAKER DOORS 1 PIECE

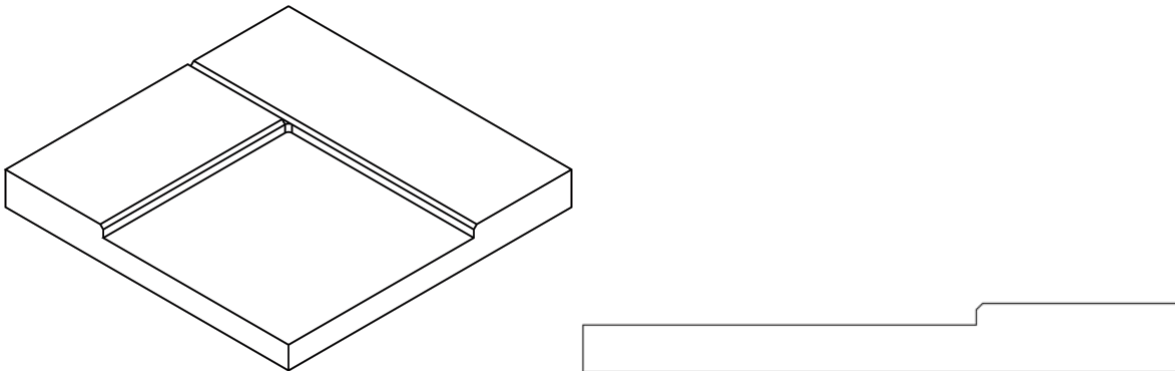
PROFILE 160 & 260



C6001-160 SHAKER FLAT PANEL 2 ¼ RAILS
C6001-260 SHAKER FLAT PANEL 3" RAILS

SHAKER DOORS 1 PIECE

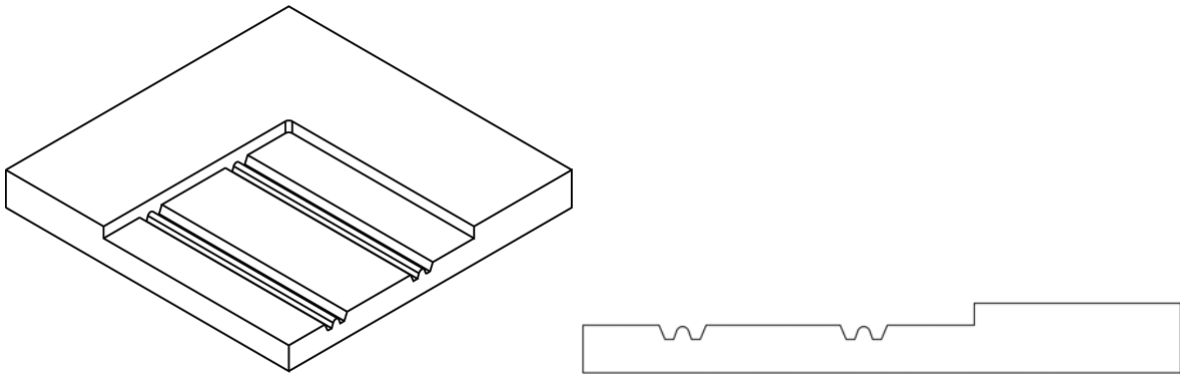
PROFILE 162 & 262



C6001-162 SHAKER FLAT PANEL 2 ¼ RAILS, V GROOVE RAILS
C6001-262 SHAKER FLAT PANEL 3" RAILS, V GROOVE RAILS

SHAKER DOORS 1 PIECE

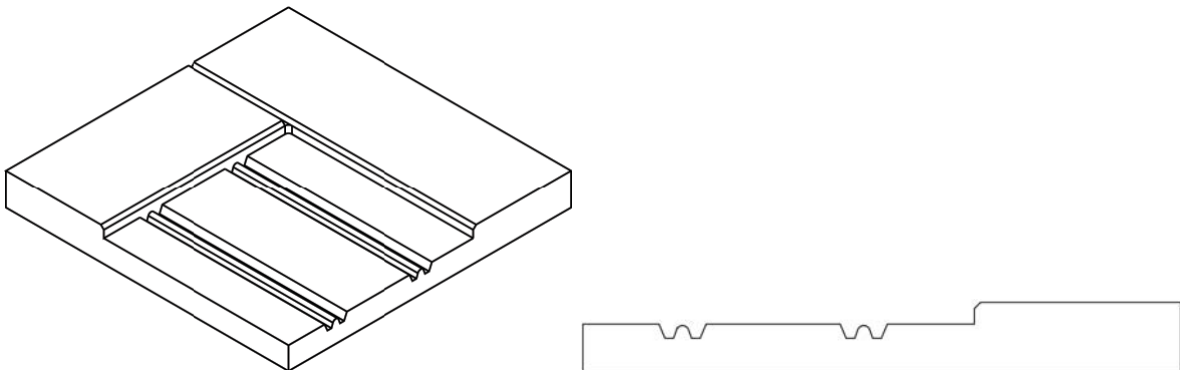
PROFILE 170 & 270



C6001-170 SHAKER FLAT PANEL 2 ¼ RAILS, BEADED PANEL
C6001-270 SHAKER FLAT PANEL 3" RAILS, BEADED PANEL

SHAKER DOORS 1 PIECE

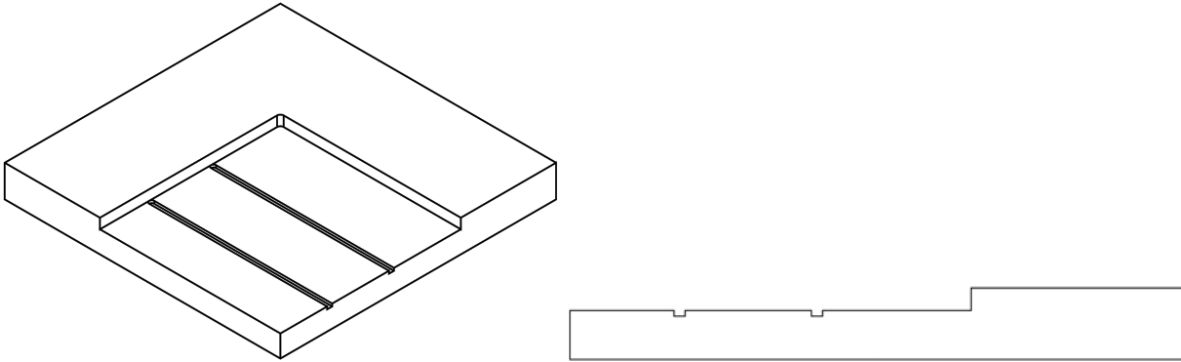
PROFILE 172 & 272



C6001-172 SHAKER FLAT PANEL 2 ¼ RAILS, BEADED PANEL, V GROOVE RAILS
C6001-272 SHAKER FLAT PANEL 3" RAILS, BEADED PANEL, V GROOVE RAILS

SHAKER DOORS 1 PIECE

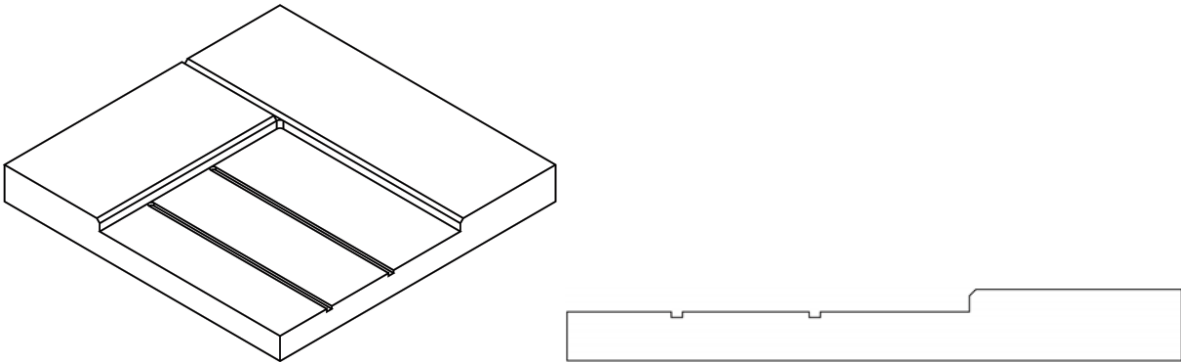
PROFILE 180 & 280



C6001-180 SHAKER FLAT PANEL 2 ¼ RAILS, V GROOVE PANEL
C6001-280 SHAKER FLAT PANEL 3" RAILS, V GROOVE PANEL

SHAKER DOORS 1 PIECE

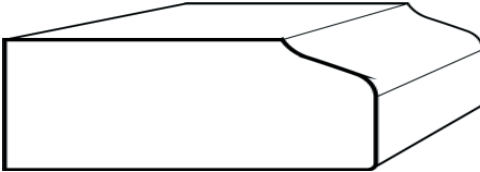
PROFILE 182 & 282



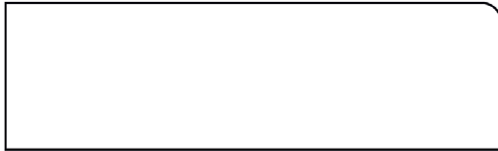
C6001-180 SHAKER FLAT PANEL 2 ¼ RAILS, V GROOVE PANEL, V GROOVE RAILS
C6001-280 SHAKER FLAT PANEL 3" RAILS, V GROOVE PANEL, V GROOVER RAILS

EDGE PROFILES

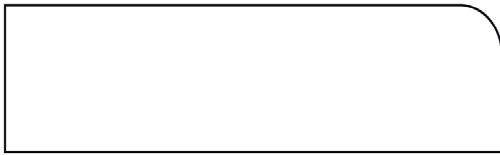
*"CA" ELIAS COVE
(4MM)*



"CB" 1/8" RADIUS



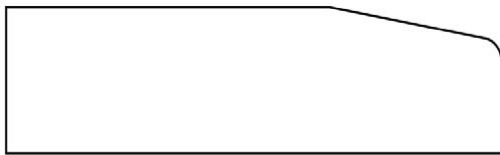
"CC" 3/8" RADIUS (9.5MM)



"CD" 2MM RADIUS



"CE" LARGE BEVEL



"CF" LARGE BEVEL WITH GROOVE



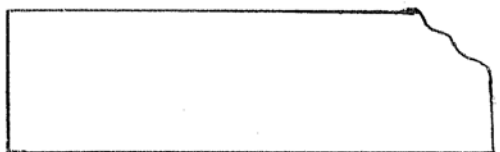
"CG" OGEE



"CH" 3MM BEVEL



"CI" MATCH 101 INSIDE



"CJ" DROP BEVEL



EDGE PROFILES

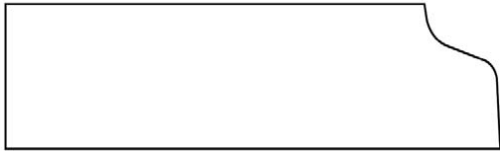
"CK" 8MM RADIUS



"CL" STRAIGHT CUT

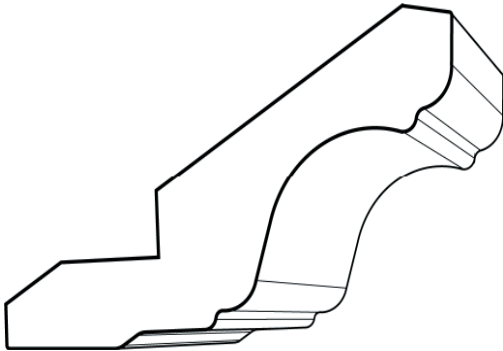


"CM" 1/4" COVE

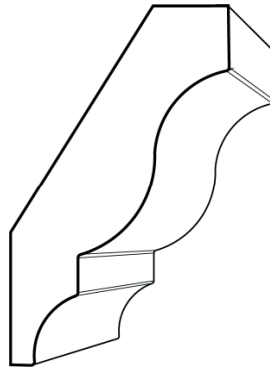


CROWN MOULDINGS

J113



J806



J1154

